

Product Highlights

- 1/4" Progressive Scan CMOS
- 3.6mm Lens
- Max 30fps@720P
- Video Transmission 300m
- IR Range up to 20m
- 2D DNR, dWDR, ICR
- IP66



DCS-F1711

720P AHD Analogue Bullet

Easy series products support simplicity of using existing cabling infrastructure with HDVI. It features a compact design and high quality image. It's suitable for the scenes requires high definition image display such as finance, government, schools, shops, airports, factories and hotels and so on.

Long Distance Transmission

HDVI technology guarantees long-distance and real-time transmission without any loss. It supports up to 300m for 720P Full HD video via coaxial cable.

Simplicity

HDVI technology inherits the born feature of simplicity from traditional analog surveillance system, making itself a best choice for investment protection. HDVI system can seamlessly upgrade the traditional analog system without replacing existing coaxial cabling. The plug and play approach enables full HD video surveillance without the hassle of configuring a network.

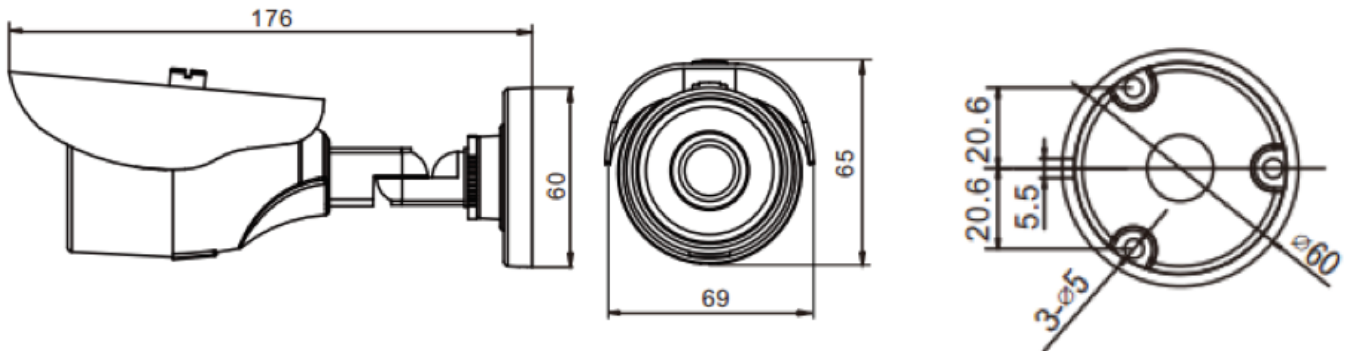
Environmental

With a temperature range of -10 °C to +50 °C (14 °F to +131 °F). Subjected and certified to rigorous dust and water immersion tests, the IP66 rating makes it suitable for demanding outdoor applications.

Technical Specifications			
Camera		Wide Dynamic Range	• dWDR
Image Sensor	• 1/4" Progressive Scan CMOS	Gain Control	• Auto
Effective Pixels	• 1280(H) x 720(V)	Noise Reduction	• 2D DNR
Scanning System	• Progressive	White Balance	• Auto
Electronic Shutter	• Auto, PAL:1/50-1/10,000s, NTSC:1/60-1/10,000s	BLC	• N/A
Min. illumination	• Color:0.01Lux@(F1.2,AGC ON) ; B/W:0Lux@(IR LED ON)	Mirror	• N/A
S/N Ratio	• More than 48dB	Motion Detection	• N/A
IR Range	• up to 20m	Privacy Masking	• N/A
IR On/Off Control	• Auto	General	
IR LEDs	• 18pcs	Power Supply	• DC12V±10%
OSD Joystick	• N/A	Power Consumption	• Max. 3W (12V DC, IR ON)
Up the Coax	• N/A	Operating Temperature	• -10 °C ~ 55 °C (14°F ~ 131 °F)
Pan/Tilt/Rotation Range	• Pan:0°~360°; Tilt:0°~90°; Rotation:0°~360°	Operating Humidity	• Less than 85% RH
Lens		Ingress Protection	• IP66
Lens Type	• Fixed	Certifications	• CE/FCC
Iris	• Fixed Iris	Casing	• Metal
Focal Length	• 3.6mm	Dimensions	• 176×69×65mm
F Number	• F2.0	Net Weight	• 300g
Angle of View	•75°		
Focus Control	• Fixed		
Video			
Resolution	• 720P (1280×720)		
Frame Rate	• PAL:25fps ,NTSC:30fps		
Video Output	• AHD Output		
Day/Night	• Ext		
OSD Menu	• N/A		

DCS-F1711
720P AHD Analogue Bullet

Dimensions (mm)



Accessories



SN-CBK629A
Junction Box